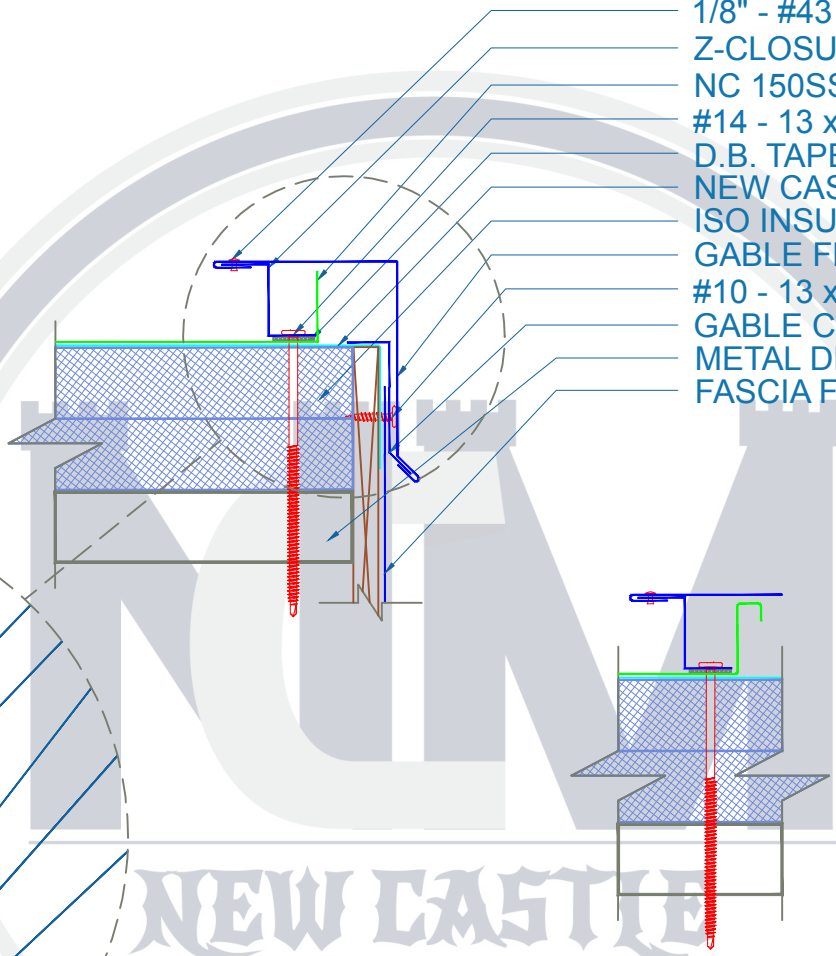
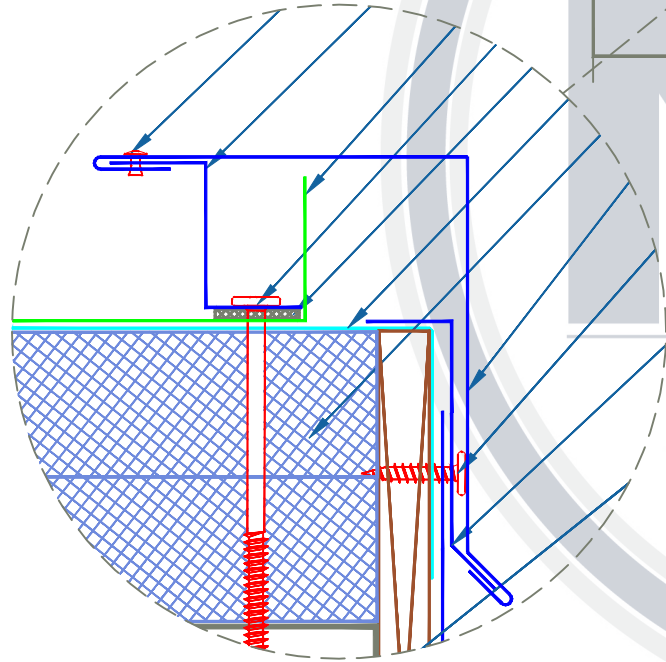


NC 150SS - ISO w/ METAL DECK

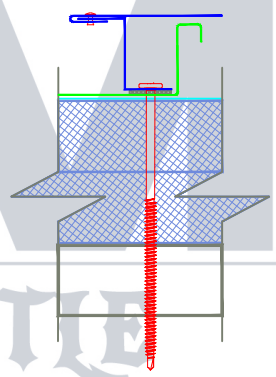
- 1/8" - #43 POP RIVET (18" o.c.)
- Z-CLOSURE FLASHING
- NC 150SS PANEL (FIELD CUT AND BEND)
- #14 - 13 x ?" PHDD (12" o.c.)
- D.B. TAPE SEALANT
- NEW CASTLE UNDERLAYMENT
- ISO INSULATION
- GABLE FLASHING
- #10 - 13 x 1" PHW (12" o.c.)
- GABLE CLEAT FLASHING
- METAL DECK
- FASCIA FLASHING



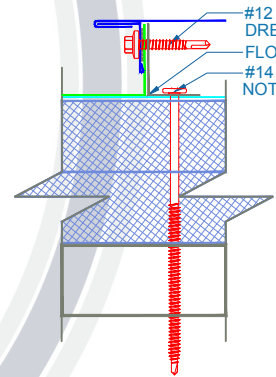
ZOOMED IN VIEW



NTS



ON MODULE



FLOATING GABLE

- #12 - 14 x 1 1/2" DP3 SD DREXMET HEAD (12" o.c.)
- FLOATING RAKE ANGLE
- #14 - 13 x ?" PHDD (12" o.c.)
- NOT TO BE TIGHTENED

NEW CASTLE
METAL

GABLE

SCALE: 3" = 1'-0"

EFFECTIVE DATE: 05-30-2013
SUBJECT TO CHANGE WITHOUT NOTICE