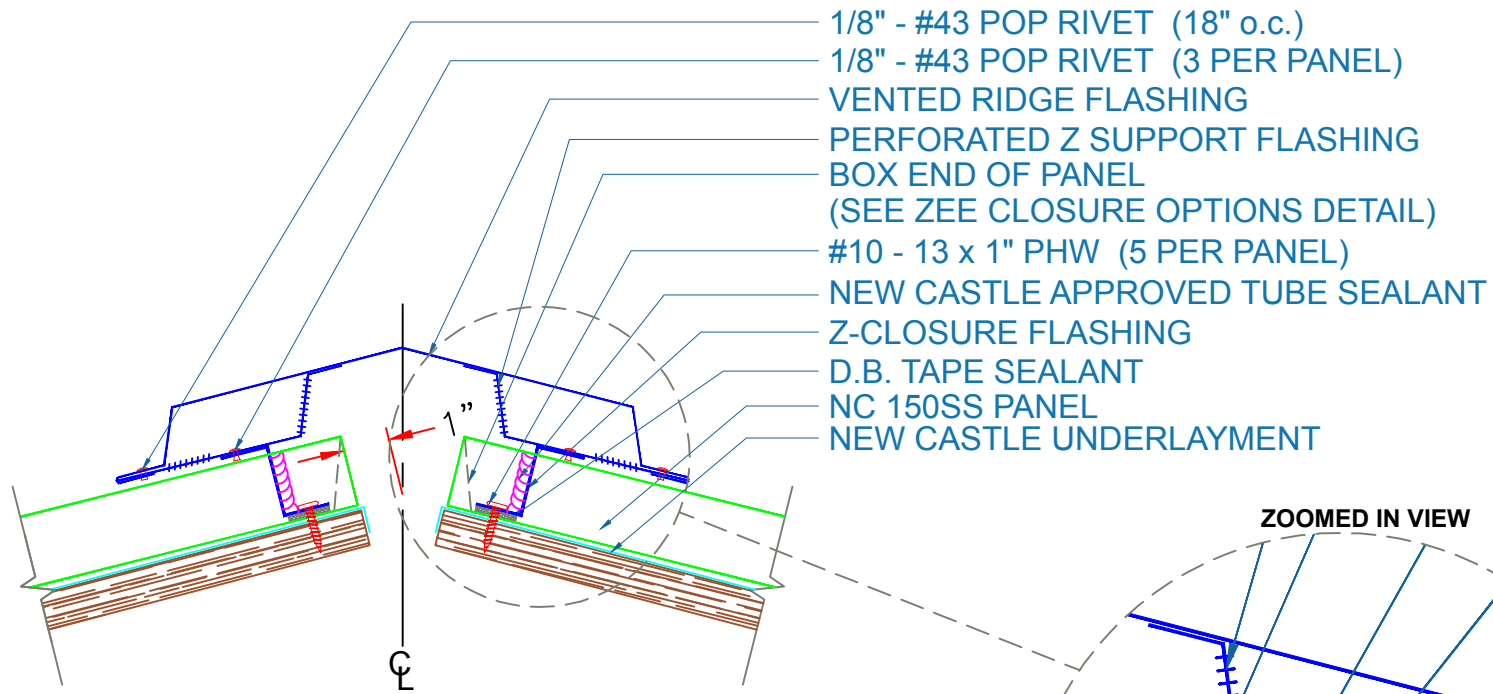
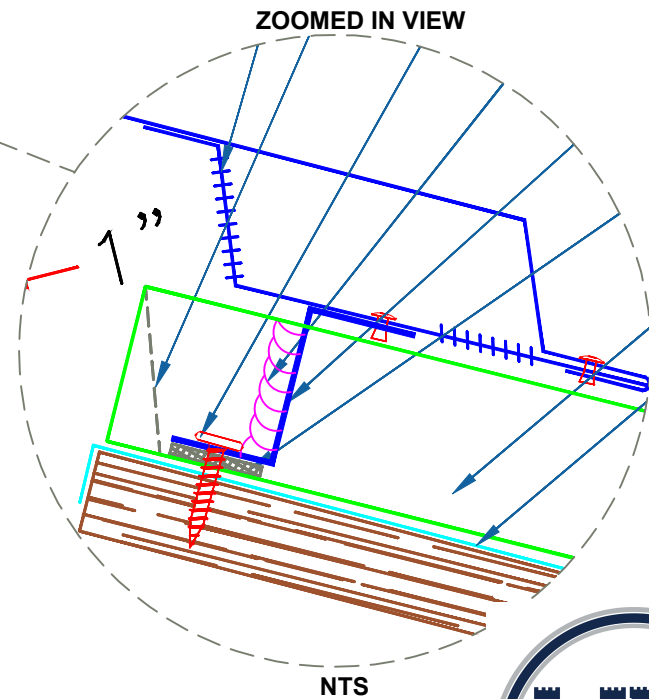
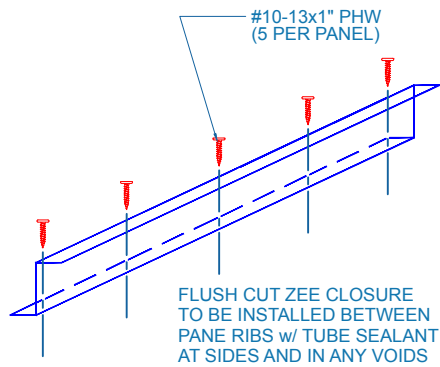


# NC 150SS - PLYWOOD



NOTE:  
 1.) NET FREE AREA = 6.16 SQ IN/FT



## VENTED RIDGE / HIP

EFFECTIVE DATE: 01-04-13  
 SUBJECT TO CHANGE WITHOUT NOTICE

SCALE: 3" = 1'-0"

