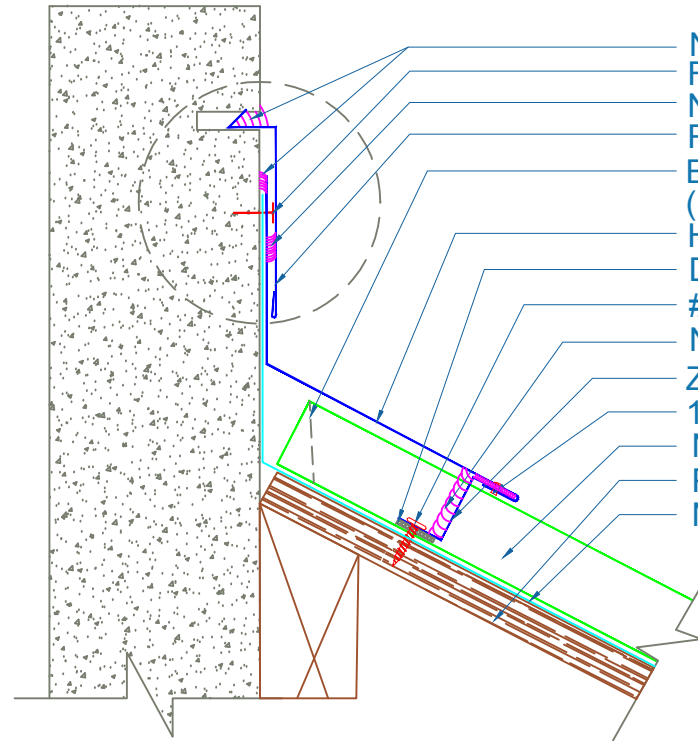
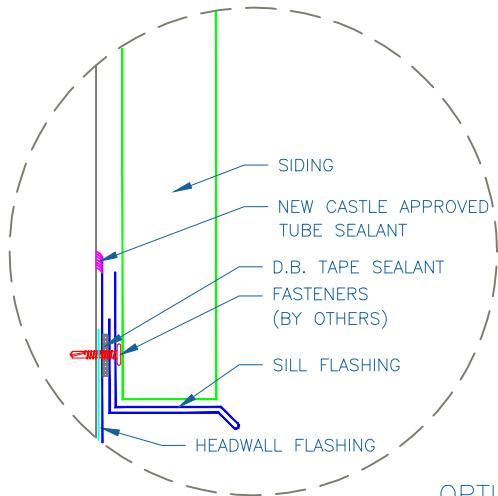


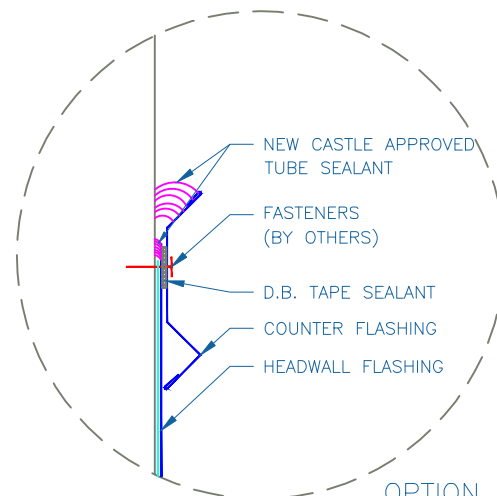
NC 550S - PLYWOOD



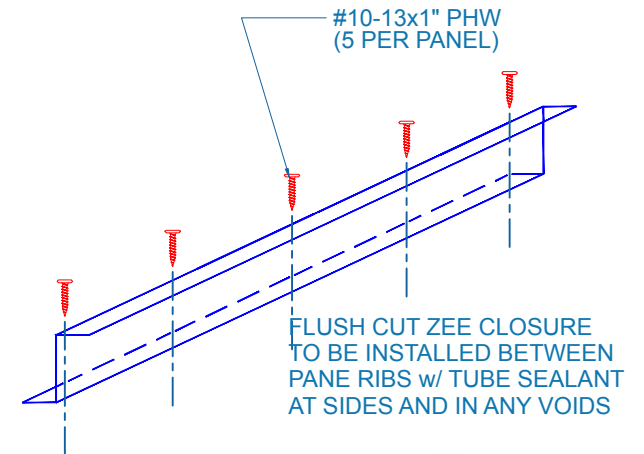
- NEW CASTLE APPROVED TUBE SEALANT
- FASTENERS (BY OTHERS)
- NEW CASTLE APPROVED TUBE SEALANT
- REGLET FLASHING
- BOX END OF PANEL
(SEE ZEE CLOSURE OPTIONS DETAIL)
- HEADWALL FLASHING
- D.B. TAPE SEALANT
- #10 - 13 x 1" PHW (5 PER PANEL)
- NEW CASTLE APPROVED TUBE SEALANT
- Z-CLOSURE FLASHING
- 1/8" - #43 POP RIVET (18" o.c.)
- NC 550S PANEL
- PLYWOOD SUBSTRATE (1/2" MIN.)
- NEW CASTLE UNDERLAYMENT



OPTION 1



OPTION 2



EFFECTIVE DATE: 08-14-2013
SUBJECT TO CHANGE WITHOUT NOTICE

HEADWALL

SCALE: 3" = 1'-0"